

Burlington Installation Corporation
C19618

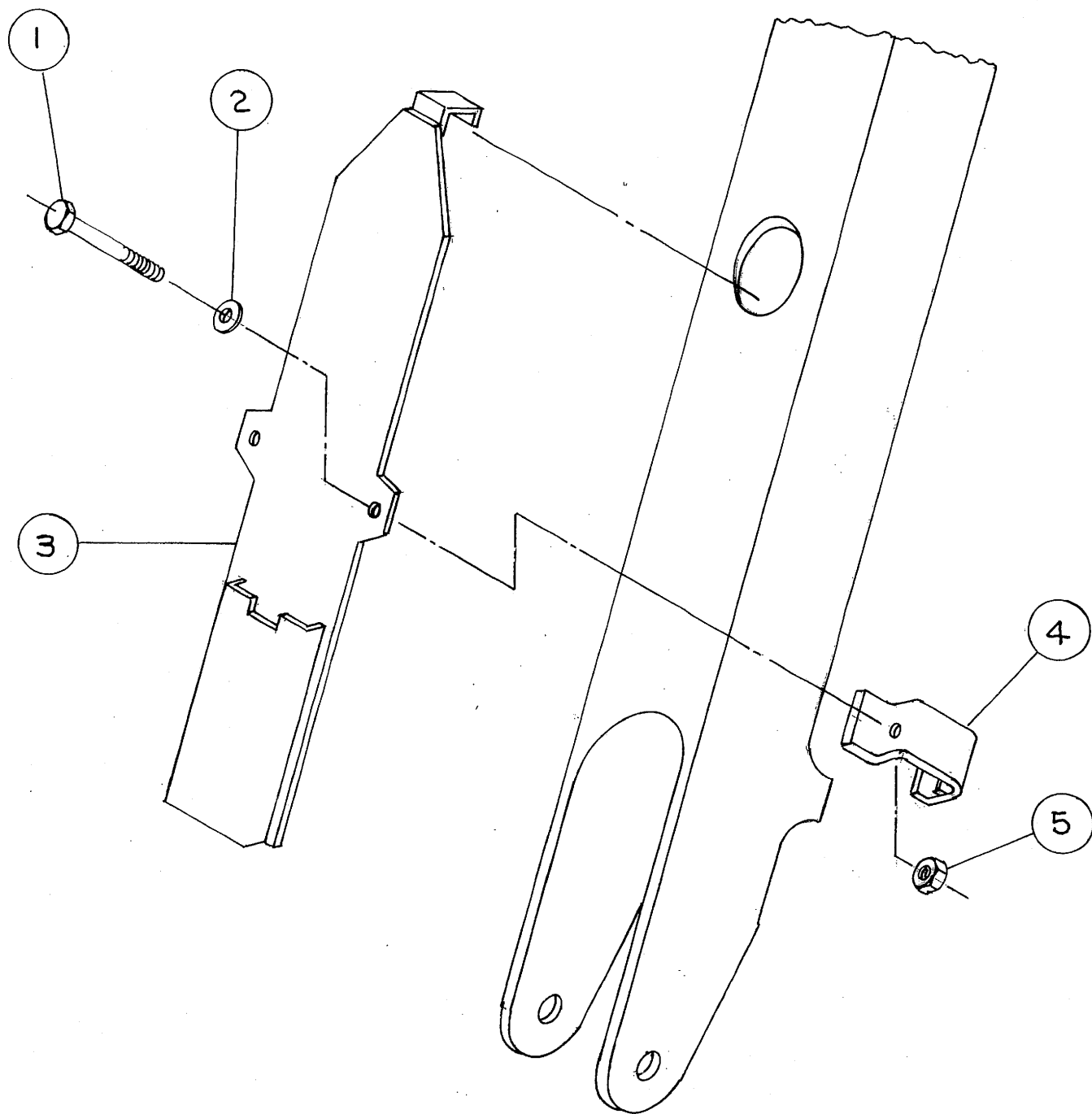
Boom Guard
for
Case 590SM Backhoe

Installation Instructions and
Bill of Materials

Parts or Questions
Contact
Burlington Installation
Phone: 316-943-2515
Fax: 316-943-4448

BIC

BOOM GUARD / I - 590SL & 590SM



GUARD / I - BOOM 590SL & 590SM		
1	50A-1052	2 BOLT 5/8-11UNCx 6 1/2"
2	14C-10	2 WASHER 5/8 FLAT
3	C20040	1 GUARD/W BOOM
4	C20041	2 BRACKET/W
5	30C-10	2 NUT 5/8 NYLOCK