

Burlington Installation Corporation
SI3045 /SF3045

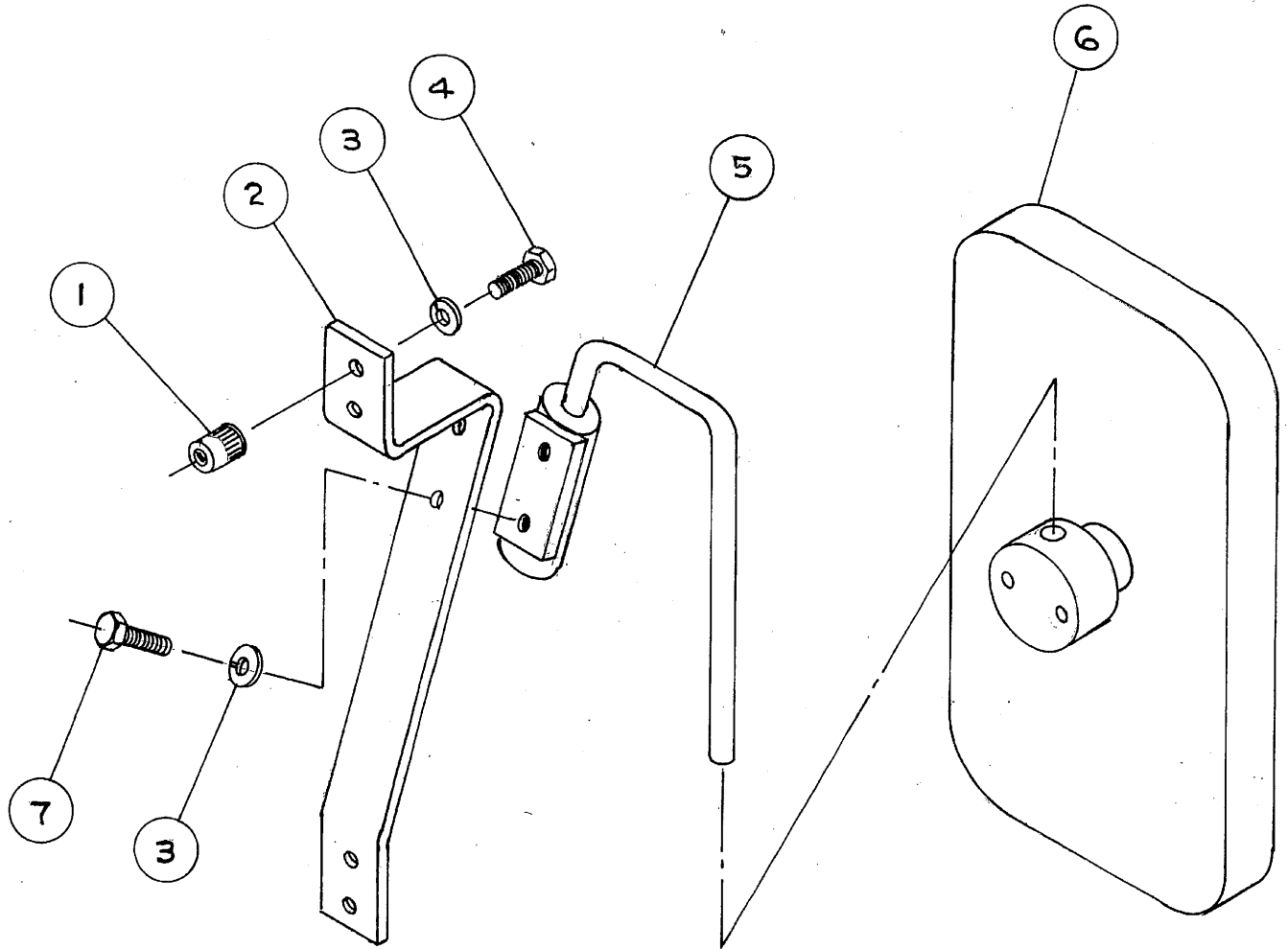
Deluxe Mirrors
for
Case 580/590 Backhoe, 570 MXT
CAB ONLY

Installation Instructions and
Bill of Materials

Parts or Questions
Contact
Burlington Installation
Phone: 316-943-2515
Fax: 316-943-4448

BIC

MIRROR/I – 570,580 & 590 (CAB ONLY)



MIRROR/I

- | | | | |
|---|-----------|----|---------------------|
| 1 | C21514 | 8 | INSERT 1/4-28UNC |
| 2 | C21267 | 2 | BRACKET |
| 3 | 14A-04 | 12 | WASHER 1/4LOCK |
| 4 | 50A-0408 | 8 | BOLT 1/4-28UNC X 1" |
| 5 | C21113 | 2 | ARM MIRROR MTG |
| 6 | C21287 | 2 | MIRROR |
| 7 | 350A-0615 | 4 | BOLT M6 X 15mm |