

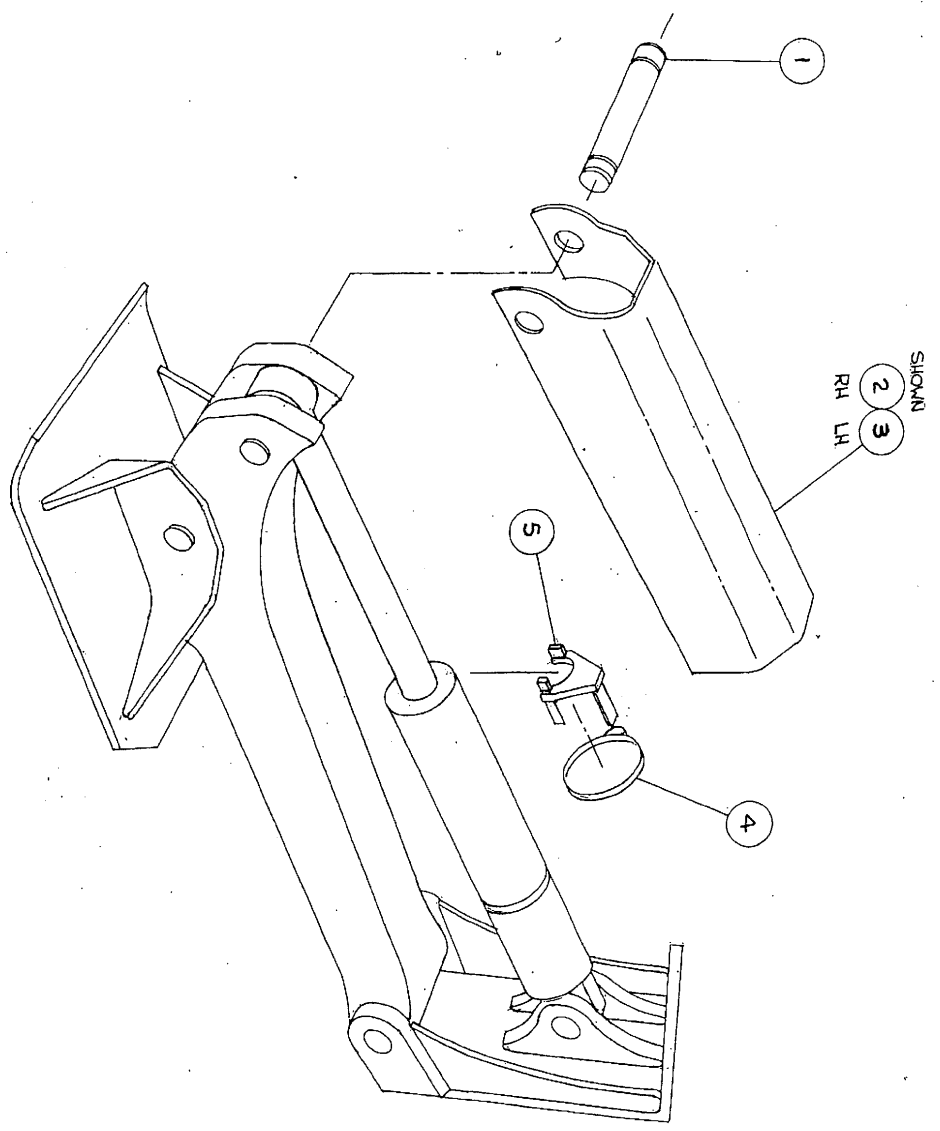
Burlington Installation Corporation
SGI580SL / SGF580SL

Stabilizer Guards
for
Case 580SL/SM Backhoe

Installation Instructions and
Bill of Materials

Parts or Questions
Contact
Burlington Installation
Phone: 316-943-2515
Fax: 316-943-4448

BIC STABILIZER GUARD / I - 580SL & 580SM



- | | | | | |
|---|------------|---|-----------------------|---------------|
| 1 | C26002 | 2 | PIN | 580SL & 580SM |
| 2 | C21128 | 1 | GUARD STABILIZER RH | |
| 3 | C21172 | 1 | GUARD STABILIZER LH | |
| 4 | 94100-0500 | 2 | CLAMP | |
| 5 | C21175 | 1 | SUPPORT/W CYLINDER RH | |
| 6 | C21176 | 1 | SUPPORT/W CYLINDER LH | |