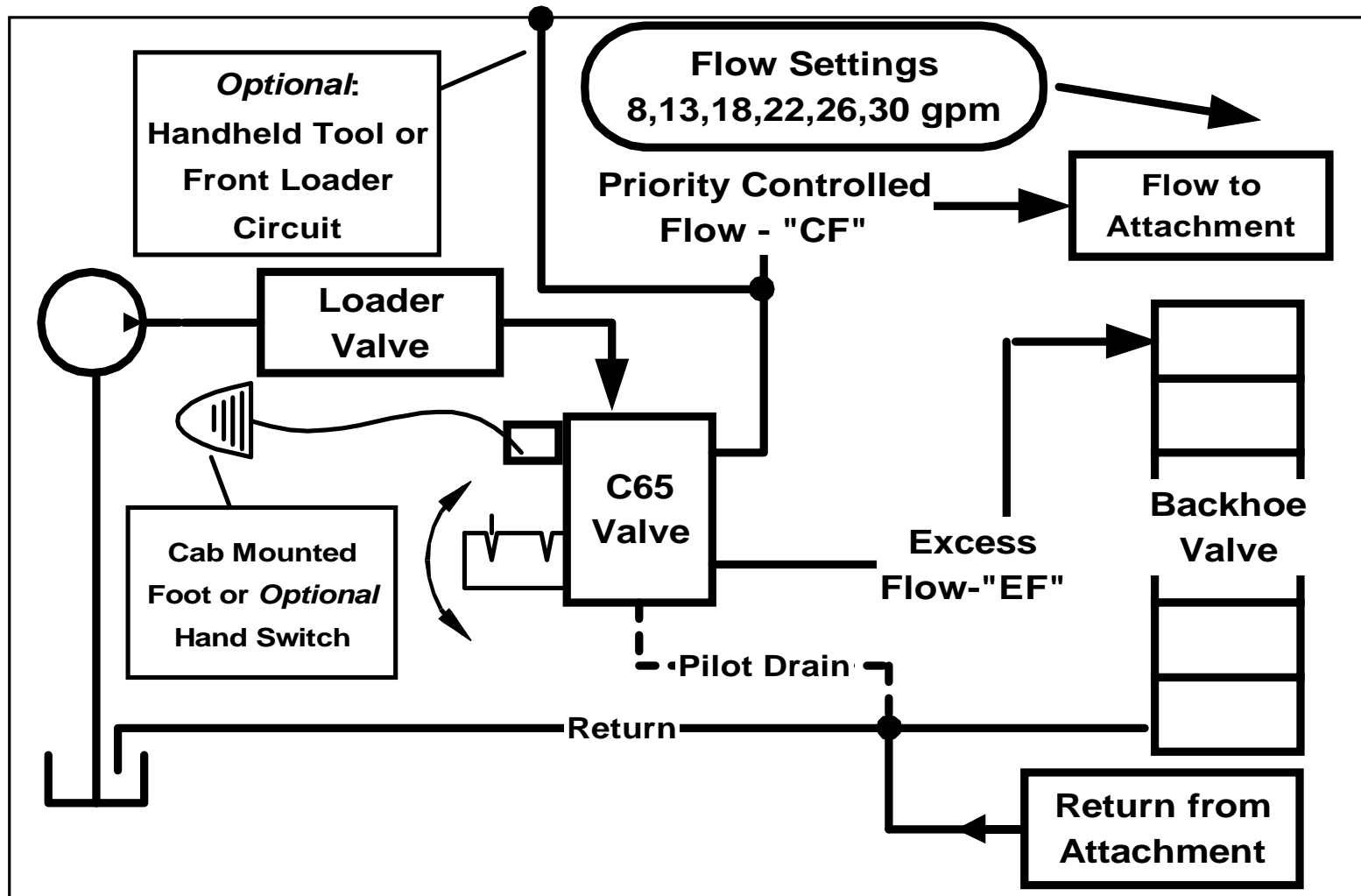


BIC K2500 Auxiliary Circuit



Optional Selector Available for Handheld Only kits: 3,5,7.5, 9,12,15 gpm