

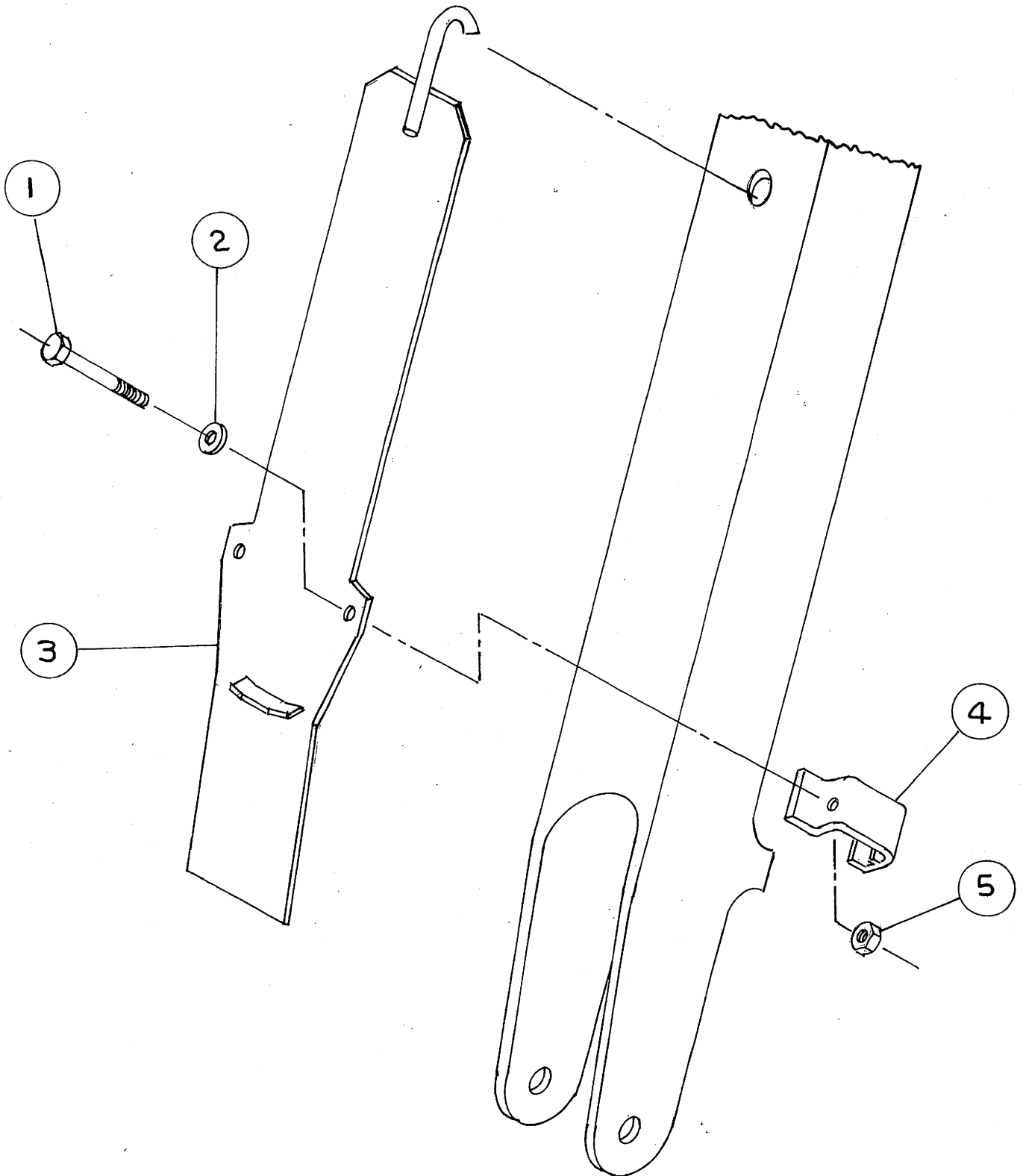
Burlington Installation Corporation
C19829

Boom Guard
for
Case 580L/M Backhoe

Installation Instructions and
Bill of Materials

Parts or Questions
Contact
Burlington Installation
Phone: 316-943-2515
Fax: 316-943-4448

BIC BOOM GUARD / I - 580L & 580M



GUARD / I - BOOM 580L & 580M

- | | | | | |
|---|----------|---|-----------|--------------|
| 1 | 50A-1040 | 2 | BOLT | 5/8-11UNCX5" |
| 2 | 14C-10 | 2 | WASHER | 5/8 FLAT |
| 3 | C20038 | 1 | GUARD/W | BOOM |
| 4 | C20041 | 2 | BRACKET/W | |
| 5 | 30C-10 | 2 | NUT | 5/8 NYLOCK |