

Burlington Installation Corporation
FI580/FF580

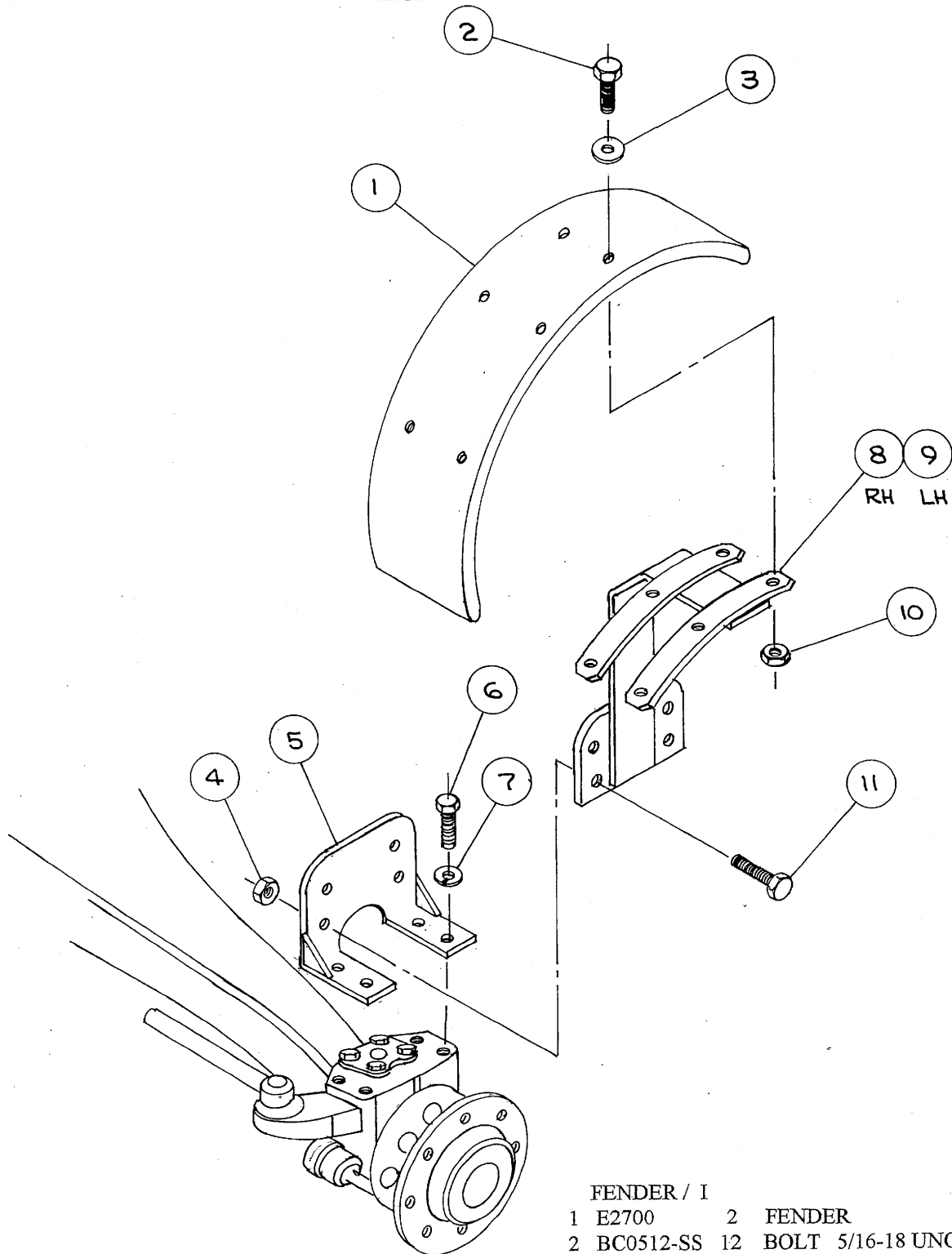
Front Fenders
for
Case 580 Backhoe, Forklift, 570 MXT
4WD only

Installation Instructions and
Bill of Materials

Parts or Questions
Contact

Burlington Installation
Phone: 316-943-2515
Fax: 316-943-4448

FENDER/I – 580L/M,580SL/SM,570MXT,
586/588 FORKLIFT & 4WD



FENDER / I

- | | |
|--------------|------------------------------|
| 1 E2700 | 2 FENDER |
| 2 BC0512-SS | 12 BOLT 5/16-18 UNC X 3/4 SS |
| 3 WF06-SS | 12 WASHER 3/8 FLAT SS |
| 4 NCL05-SS | 2 NUT 3/8 LOCK SS |
| 5 C21149 | 2 BRACKET AXLE MTG |
| 6 350A-16035 | 8 BOLT 16mm x 35mm |
| 7 314A-16 | 8 WASHER M16 LOCK |
| 8 C21147 | 1 BRACKET FENDER SUPPORT RH |
| 9 C21148 | 1 BRACKET FENDER SUPPORT LH |
| 10 NCL05-SS | 12 NUT 5/16-18 UNC LOCK |
| 11 50A-0610 | 8 BOLT 3/8 - 16UNC X 1 1/4" |