

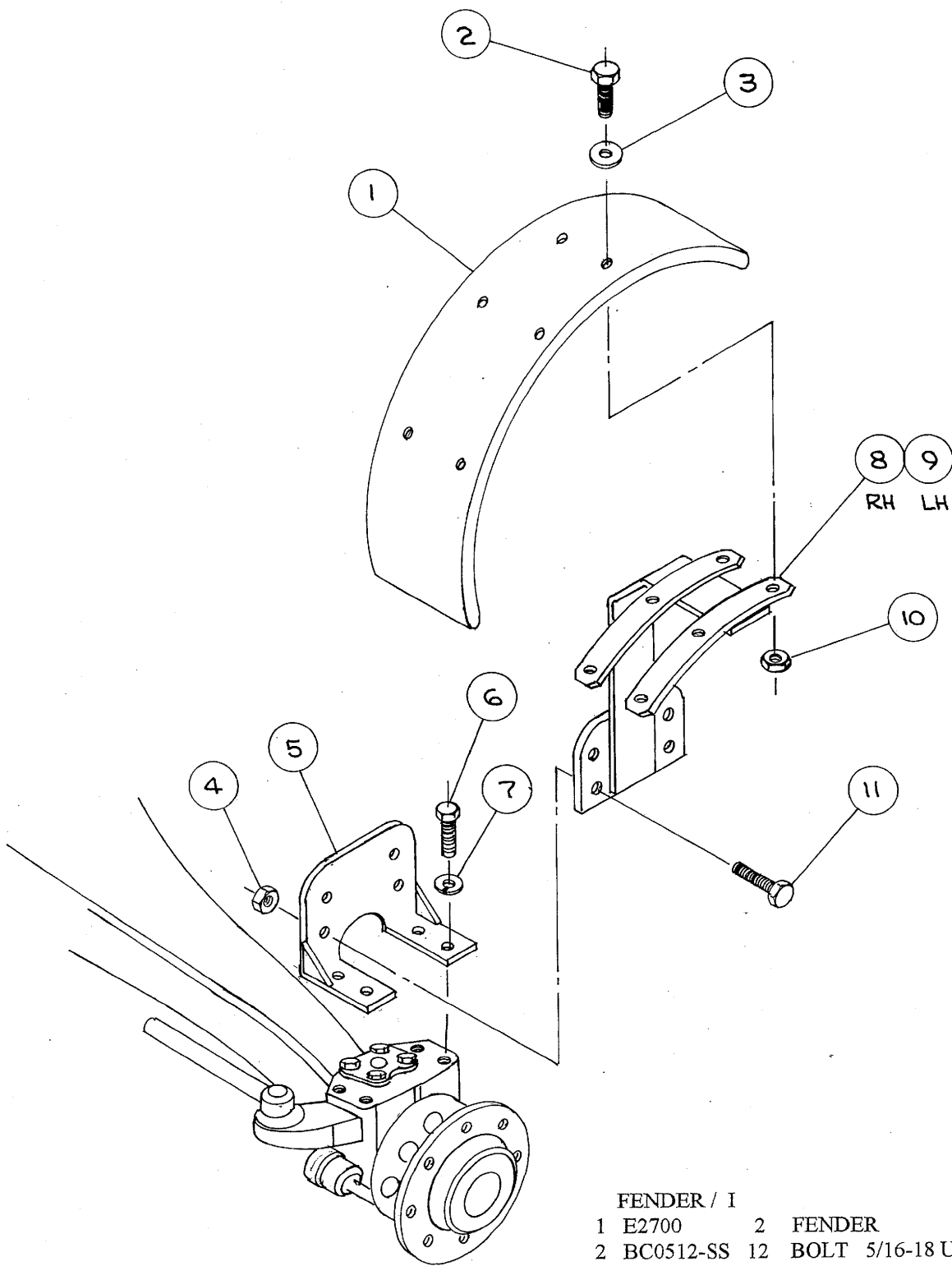
Burlington Installation Corporation  
FI590/FF590

Front Fenders  
for  
Case 590 Backhoe

Installation Instructions and  
Bill of Materials

Parts or Questions  
Contact  
Burlington Installation  
Phone: 316-943-2515  
Fax: 316-943-4448

# BIC FENDER/I - 590SL/SM



- FENDER / I
- |              |                              |
|--------------|------------------------------|
| 1 E2700      | 2 FENDER                     |
| 2 BC0512-SS  | 12 BOLT 5/16-18 UNC X 3/4 SS |
| 3 WF06-SS    | 12 WASHER 3/8 FLAT SS        |
| 4 NCL05-SS   | 8 NUT 3/8 LOCK SS            |
| 5 C21150     | 2 BRACKET AXLE MTG           |
| 6 350A-16035 | 8 BOLT 16mm x 35mm           |
| 7 314A-16    | 8 WASHER M16 LOCK            |
| 8 C21147     | 1 BRACKET FENDER SUPPORT RH  |
| 9 C21148     | 1 BRACKET FENDER SUPPORT LH  |
| 10 NCL05-SS  | 12 NUT 5/16-18UNC LOCK       |
| 11 50A-0610  | 8 BOLT 3/8 - 16UNC X 1 1/4"  |